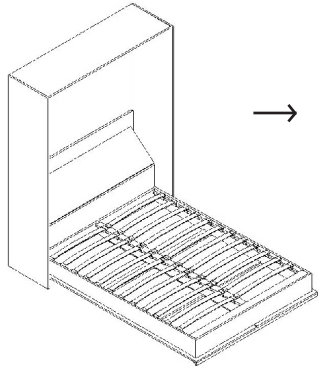


Instant Bedrooms

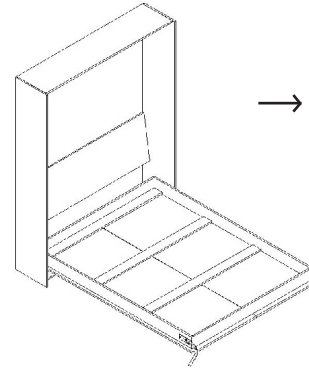
Manufacturing Inc.

WALLBED MEASUREMENTS



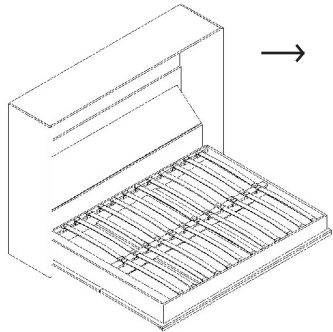
UPRIGHT

DELUXE EASI-LIFT MECHANISM - STUDIO 2000 AND AUTO LEG								
Bed Size	WIDTH		HEIGHT		DEPTH		PROJECTION	
	inches	cm	inches	cm	inches	cm	inches	cm
SINGLE	45-1/4	114.9	80-3/4	205.1	21	53.3	91	231.1
DOUBLE	59-1/4	150.5	80-3/4	205.1	21	53.3	91	231.1
QUEEN	65-1/4	165.7	85-3/4	217.8	21	53.3	96	243.8
KING	83-1/4	211.5	85-3/4	217.8	21	53.3	96	243.8



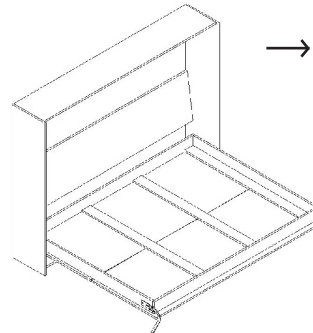
UPRIGHT

STANDARD								
Bed Size	WIDTH		HEIGHT		DEPTH		PROJECTION	
	inches	cm	inches	cm	inches	cm	inches	cm
SINGLE	44-7/8	114.0	79-7/8	202.8	16	40.6	84	213.4
DOUBLE	59-7/8	152.1	79-7/8	202.8	16	40.6	84	213.4
QUEEN	65-7/8	167.2	84-7/8	215.6	16	40.6	89	226.1
KING	N/A	N/A	N/A	N/A	N/A	N/A	N/A	N/A



SIDEFOLD

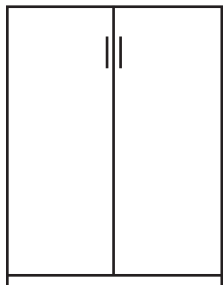
DELUXE EASI-LIFT MECHANISM - STUDIO 2000								
Bed Size	WIDTH		HEIGHT		DEPTH		PROJECTION	
	inches	cm	inches	cm	inches	cm	inches	cm
SINGLE	81-1/4	206.4	44-7/8	114.0	21	53.3	55	139.7
DOUBLE	81-1/4	206.4	60-1/4	153.0	21	53.3	70	177.8
QUEEN	86-1/2	219.7	64-1/2	163.8	21	53.3	76	193.0
KING	N/A	N/A	N/A	N/A	N/A	N/A	N/A	N/A



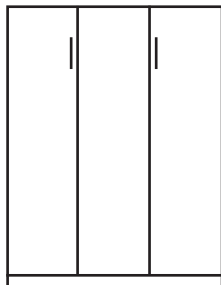
SIDEFOLD

STANDARD								
Bed Size	WIDTH		HEIGHT		DEPTH		PROJECTION	
	inches	cm	inches	cm	inches	cm	inches	cm
SINGLE	80-1/4	203.8	44	111.8	16	40.6	46	116.8
DOUBLE	80-1/4	203.8	59	149.9	16	40.6	62	157.5
QUEEN	85-1/2	217.2	64-5/8	164.1	16	40.6	68	172.7
KING	N/A	N/A	N/A	N/A	N/A	N/A	N/A	N/A

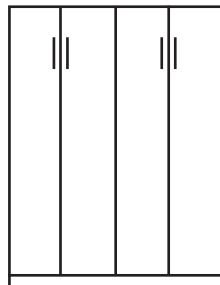
WALLBED FRONT OPTIONS



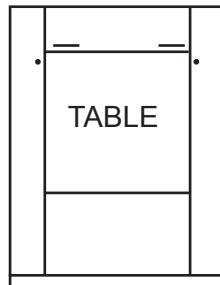
1



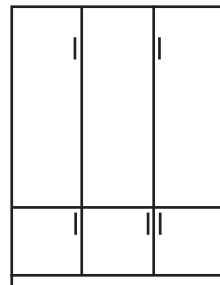
2



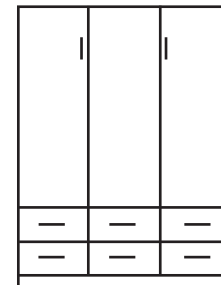
3



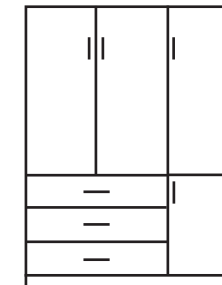
4



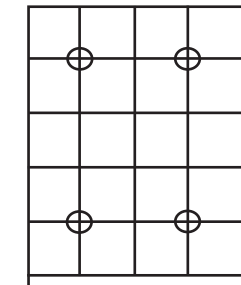
5



6



7



8

6 - 12331 Bridgeport Road
 Richmond B.C. Canada V6V 1J4
 Phone: 604 270 4121 Fax: 604 270 4139

wallbeds.com
 info@wallbeds.com
 Toll Free: 1-877-925-5233

125 - 1080 Mainland Street
 Vancouver B.C. Canada V6B 2T4
 Phone: 604 669 2337 Fax: 604 685 2337